



## DLC Training July Newsletter

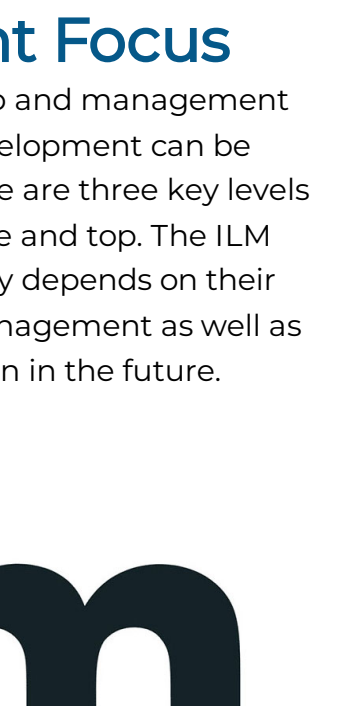


This month's newsletter highlights the importance of learning and development in improving organisational performance. Research has found that companies with greater expenditure on L&D achieve a 24% higher profit margin than those that do not. It also found a staggering 218% increase in income per employee.

*\* Association for Training and Development (ATD).*

## The Impact of L&D on Organisational Performance

### HOW LEARNING & DEVELOPMENT IMPROVES ORGANISATIONAL PERFORMANCE



Find out more about how learning and development impacts organisational performance.

[READ MORE](#)

## Professional Development Focus

Choosing the right leadership and management course for professional development can be confusing. This is because there are three key levels to management; low, middle and top. The ILM course a learner should study depends on their current experience within management as well as their plans for progression in the future.



# ilm

## Which ILM Course Should I Study?

Read our blog and take our quiz to find out which ILM course is for you.

[READ MORE](#)

## INDUSTRY UPDATES

The latest news and updates from across all our major industries...



### Supply Chain

IoSCM has released new qualifications and confirms the date and location for the Supply Chain Awards 2023...

[READ MORE](#)



### Purchasing & Procurement

Three key areas for modernising procurement and the wider supply chain have been identified and CIPS updates its Level 4 syllabus...

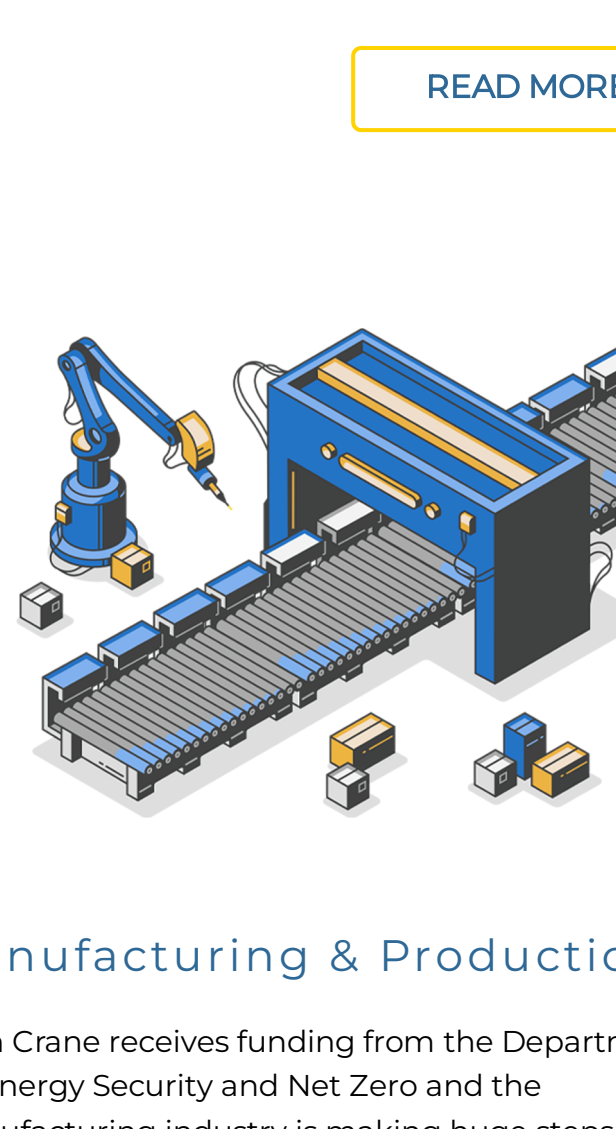
[READ MORE](#)



### Leadership & Management

People Management magazine outlines three types of toxic behaviour in the workplace and the Institute of Leadership & Management changes its name...

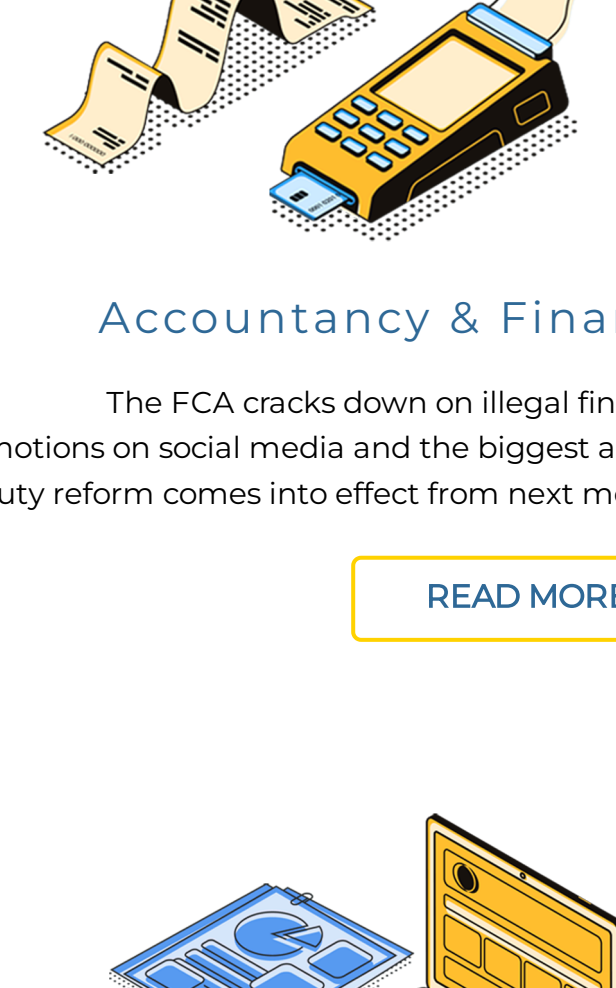
[READ MORE](#)



### Logistics & Transport

The Department for Transport (Dft) renews its Generation Logistics campaign for another year and DPD announces the launch of delivery robots in the UK...

[READ MORE](#)



### Manufacturing & Production

John Crane receives funding from the Department for Energy Security and Net Zero and the manufacturing industry is making huge steps towards decarbonisation through digitalisation...

[READ MORE](#)



### Accountancy & Finance

The FCA cracks down on illegal financial promotions on social media and the biggest alcohol duty reform comes into effect from next month...

[READ MORE](#)

### Human Resources

CIPD highlights the importance of collaboration between HR and L&D for employee professional development...

[READ MORE](#)

Do you have an update to share?

[CLICK HERE](#)