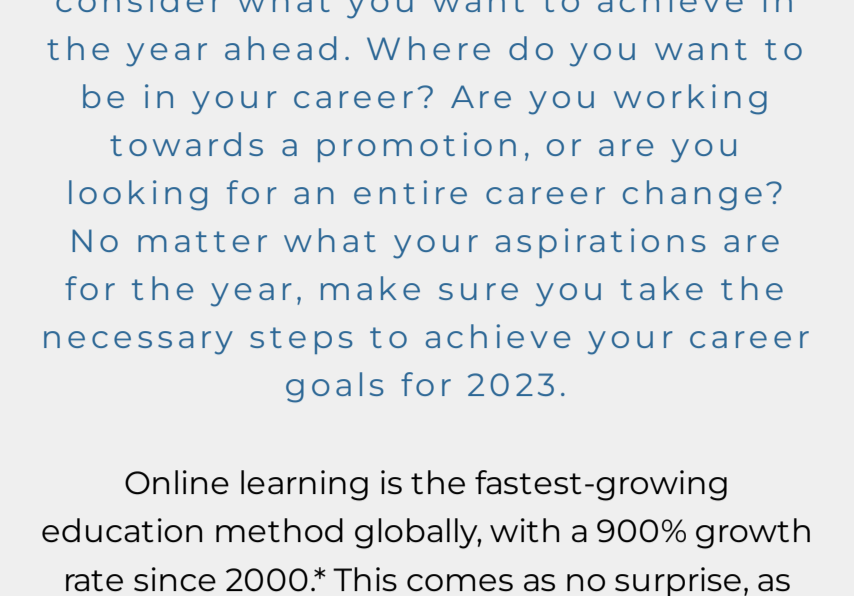




DLC Training January Newsletter

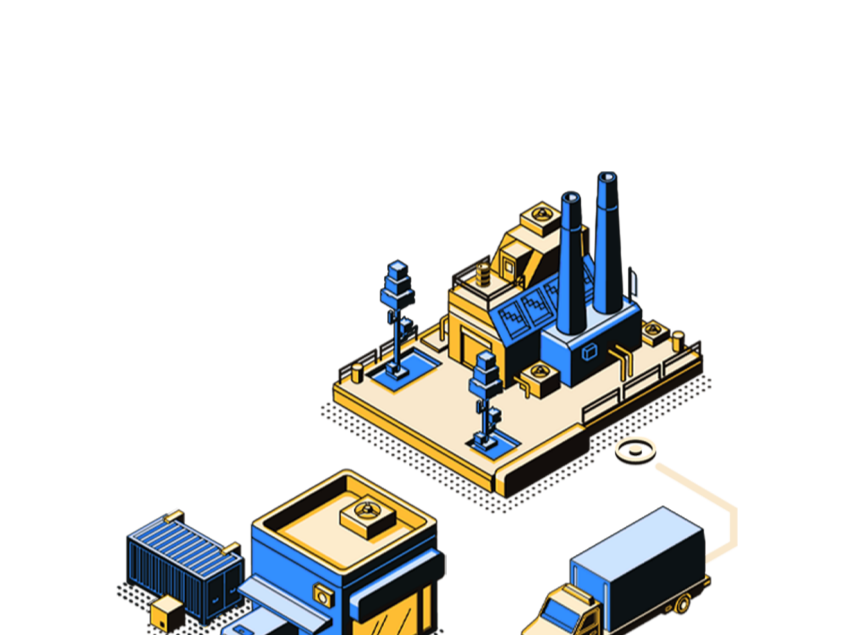


January is the perfect time to consider what you want to achieve in the year ahead. Where do you want to be in your career? Are you working towards a promotion, or are you looking for an entire career change? No matter what your aspirations are for the year, make sure you take the necessary steps to achieve your career goals for 2023.

Online learning is the fastest-growing education method globally, with a 900% growth rate since 2000.* This comes as no surprise, as this is the most convenient and beneficial way to study for those already in employment, who don't have time to dedicate to classroom learning.

*Statistics from Oxford College

Can I Study While Working Full-time?

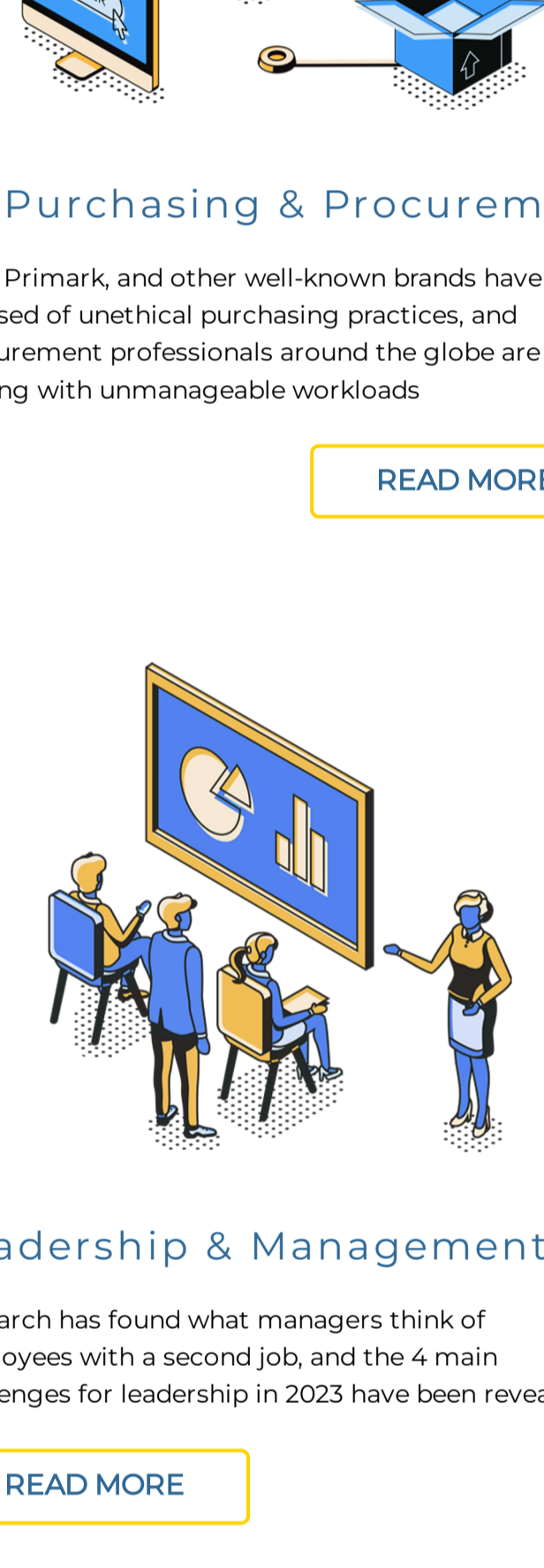


Designed to fit around your other work and responsibilities our courses help you reach your full potential while in your current job. Read our blog on how you can study and maintain the motivation you need while working full-time.

[READ MORE](#)

INDUSTRY UPDATES

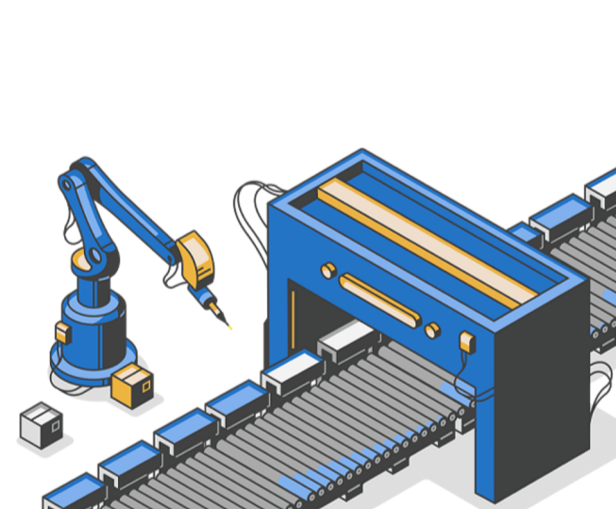
The latest news and updates from across all our major industries...



Supply Chain

Dr. Martens begins 2023 with overstock issues and a loss of earnings, and a new supply chain law in Germany is announced which will have a significant impact on supply chains across the globe

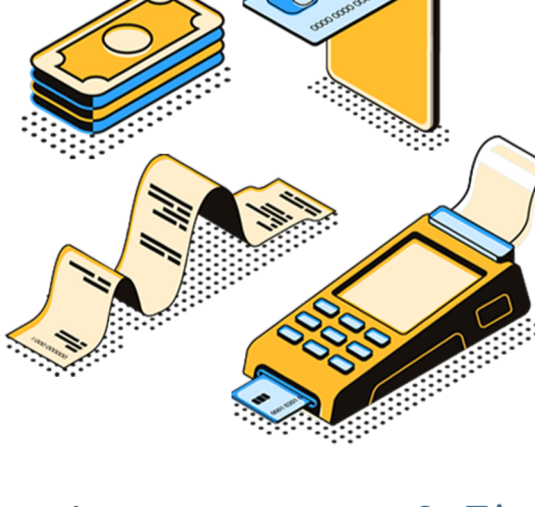
[READ MORE](#)



Purchasing & Procurement

Zara, Primark, and other well-known brands have been accused of unethical purchasing practices, and procurement professionals around the globe are dealing with unmanageable workloads

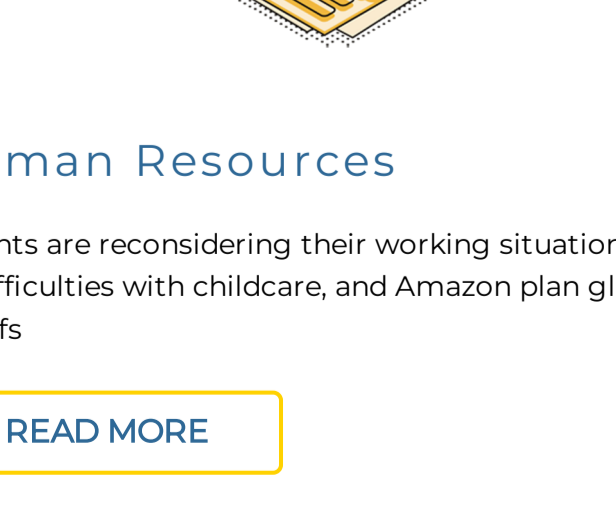
[READ MORE](#)



Leadership & Management

Research has found what managers think of employees with a second job, and the 4 main challenges for leadership in 2023 have been revealed

[READ MORE](#)



Logistics & Transport

BP announces their first charging corridor for electric trucks, and Leon Daniels is named CILT president for 2023.

[READ MORE](#)



Manufacturing & Production

Aston Martin announces 100+ new jobs are being made available in preparation for their next generation of sports cars

[READ MORE](#)

Accountancy & Finance

Oil prices continue to fall, and Tesco Bank agrees to provide employees with a pay increase.

[READ MORE](#)

Human Resources

Parents are reconsidering their working situations due to difficulties with childcare, and Amazon plan global layoffs

[READ MORE](#)